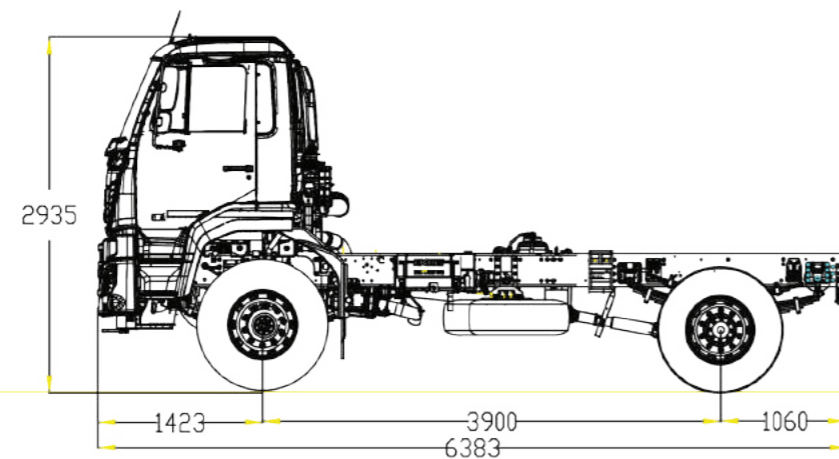
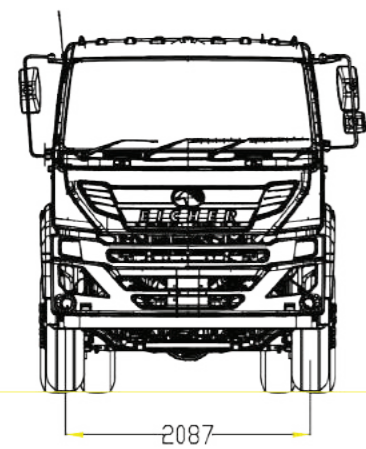
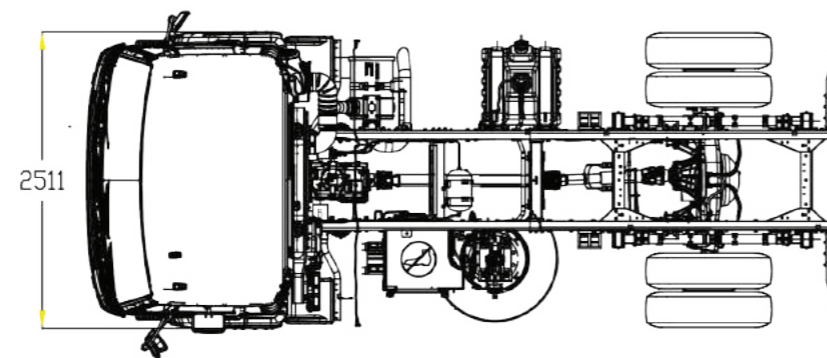


Eicher Pro 6016T

The 16 Ton GVM Tipper with 6 Cum capacity



VE COMMERCIAL VEHICLES
A VOLVO GROUP AND EICHER MOTORS JOINT VENTURE

VECV SOUTH AFRICA (PTY.) LIMITED
Registration Number- 2016/007012/07
Unit 15 Cambridge Office Park, 5 Bauhinia Street,
Highveld Technopark, Centurion, South Africa.
Tel: +27 825568366, +27 761646340
www.eichertrucksandbuses.co.za

Eicher Pro 6016T
The 16 Ton GVM Tipper with 6 Cum capacity

TRUCKS AND BUSES

BORN EFFICIENT

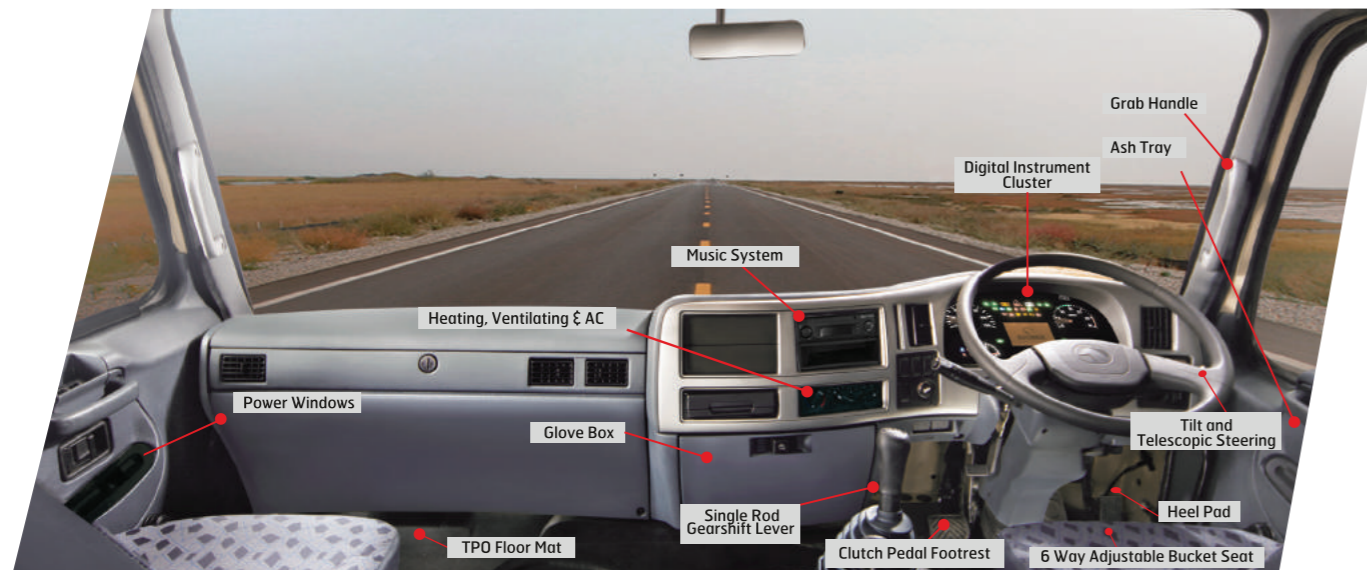


**VOLVO GROUP ENGINE
MANAGEMENT SYSTEM 3.0**

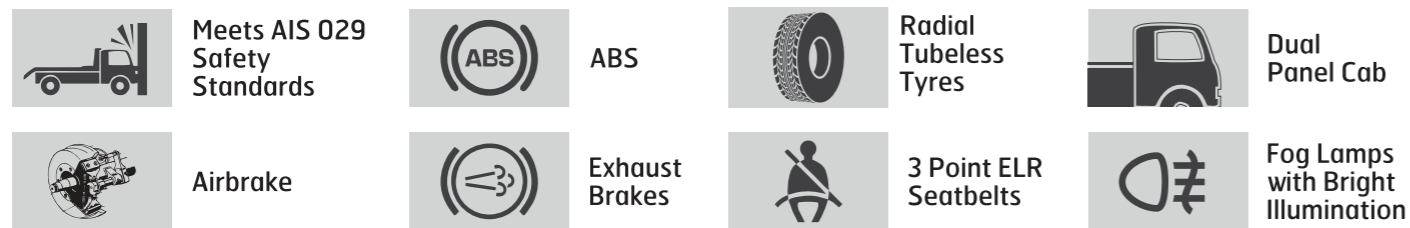
**CABIN ADAPTED FROM JAPANESE DESIGN,
MEETS AIS 029 SAFETY STANDARDS**



CABIN ADAPTED FROM JAPANESE DESIGN FOR COMFORT, SAFETY & EFFICIENCY

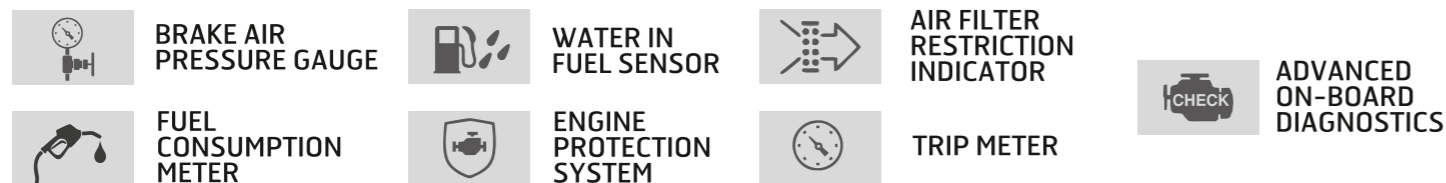


ACTIVE & PASSIVE SAFETY FEATURE



INTELLIGENT DRIVER INFORMATION SYSTEM (IDIS)

The IDIS provides live information to the driver on truck operational parameters, fuel consumption and advanced diagnostics. The information is relayed through tell-tale icons and audible alarms which the driver can easily understand and process. This ensures safe and efficient driving, with preventive vehicle maintenance, leading to minimum drive interruptions. Detailed fuel data, including instantaneous fuel value, average fuel consumption and distance to empty are also shown.



TECHNICAL SPECIFICATION

Eicher Pro 6016T

The 16 Ton GVM Tipper with 6 Cum capacity

Model	Pro 6016T	Suspension	
Vehicle Weight (Kgs)		Front Suspension	Semi-elliptical leaf spring with double acting telescopic shock absorber & Anti-roll bar
GVM	16000	Rear Suspension	Semi-elliptical laminated leaf springs
FAW (laden)	7100	Wheels & Tyres	
RAW (laden)	9000	Tyre Size	Tubeless radial 295/80R22.5-16PR
Engine		Wheel Rim size	8.25X22.5
Model	VEDX5, 4 cylinder 4 valve per cylinder, turbo charged, intercooled diesel, common rail	Cabin	
Capacity	5100 cc	2.3 m Day cab (Premium)	
Max Power	210 hp @ 2200 rpm	Model	New Pro 6016T HVAC CAB with IDIS
Max Torque	825 Nm @ 1200-1600 rpm	Brakes	
Emission	Euro III	Brake type	Dual Circuit, Full Air
Transmission		Parking brake type	Pneumatic Control, hand operated
Gear Box	ET70S6 (6 Forward 1 Reverse)	ABS	Standard
Gear Shift Linkage	Single Rod GSL	Electrical	
Clutch		Battery	2x12V-120 Ah
Clutch	395 mm Plate Dia., Spring Loaded Push Type	Fuel Tank	
Rear Axle		Size	220 Litres
Rear Axle Ratio	5.286	Performance	
Chassis Frame		Max Speed (kmph)	110
Type	Ladder type joggle frame	Gradeability	37%
Steering System		Vehicle Dimensions (mm)	
Type	Power steering	Wheel Base	3900
		FOH	1423
		ROH	1060
		Cabin Width	2300
		Ground Clearance	230