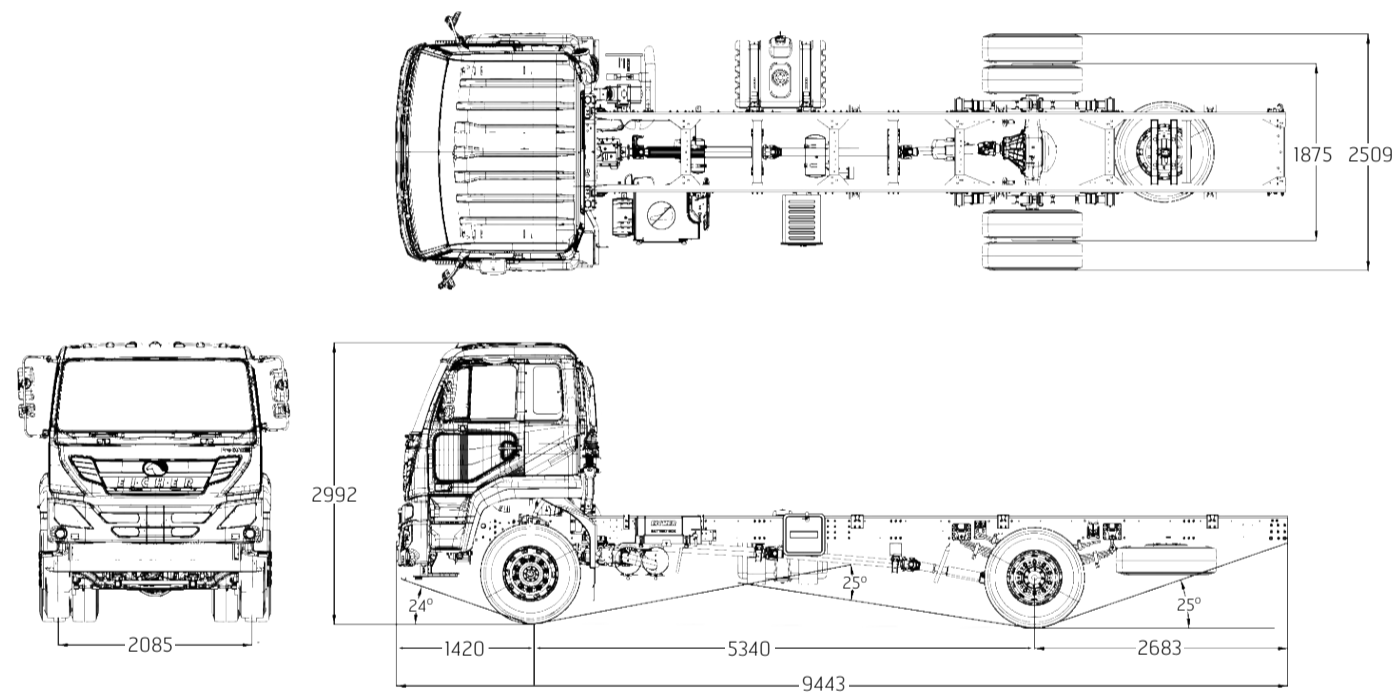


Eicher Pro 6016
The 16 Ton GVW Truck



EICHER TRUCKS AND BUSES
VE Commercial Vehicles Ltd. #96, Institutional Area,
Sector 32, Gurgaon-122001, Haryana,
India. Ph.: + 91-124-4415600.

VE COMMERCIAL VEHICLES
A VOLVO GROUP AND EICHER MOTORS JOINT VENTURE
www.eichertrucksandbuses.co.za

Authorized Dealers

Eicher Pro 6016
The 16 Ton GVW Truck

TRUCKS AND BUSES

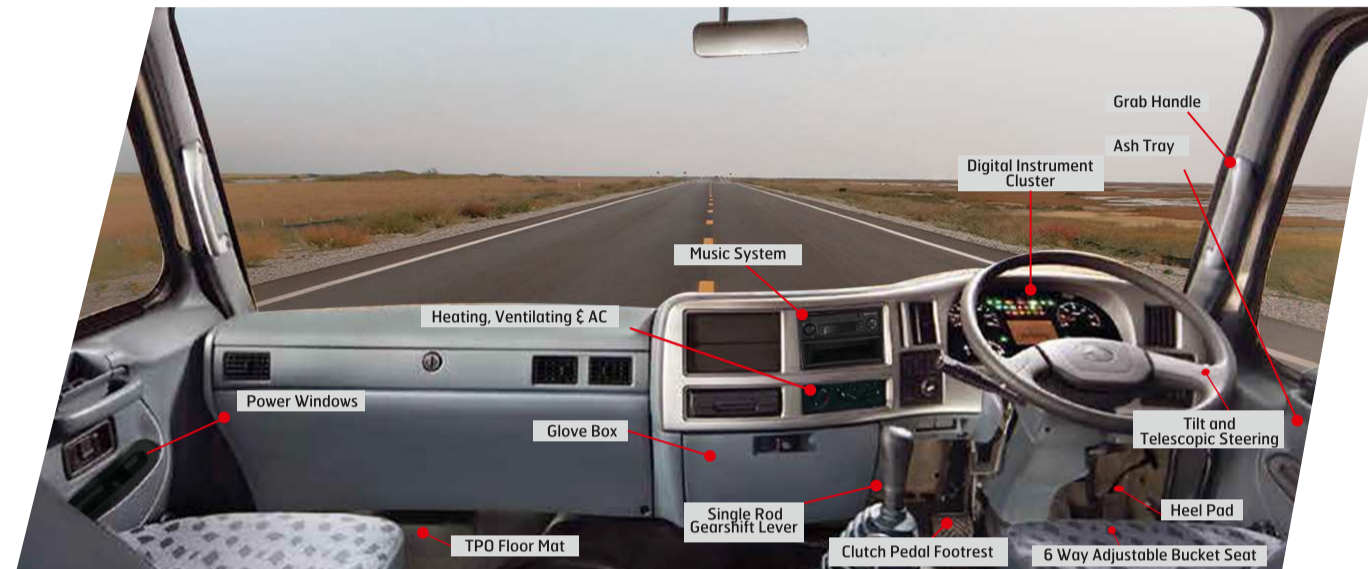
**BORN
EFFICIENT**



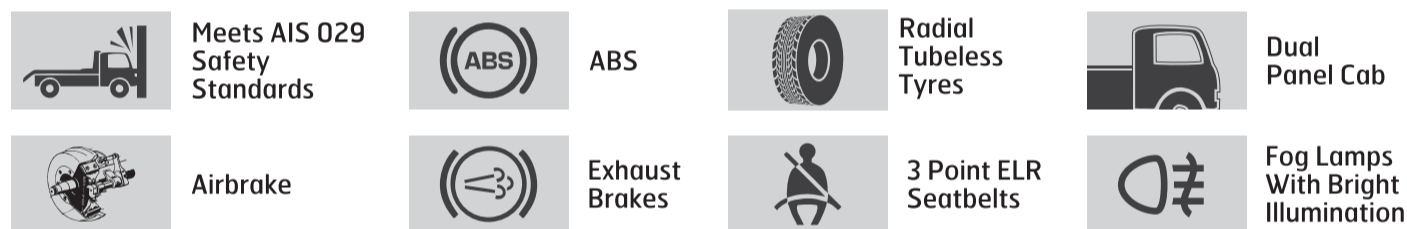
**VOLVO GROUP ENGINE
MANAGEMENT SYSTEM 3.0
CABIN ADAPTED FROM JAPANESE DESIGN,
MEETS AIS 029 SAFETY STANDARDS**



CABIN ADAPTED FROM JAPANESE DESIGN FOR COMFORT, SAFETY & EFFICIENCY

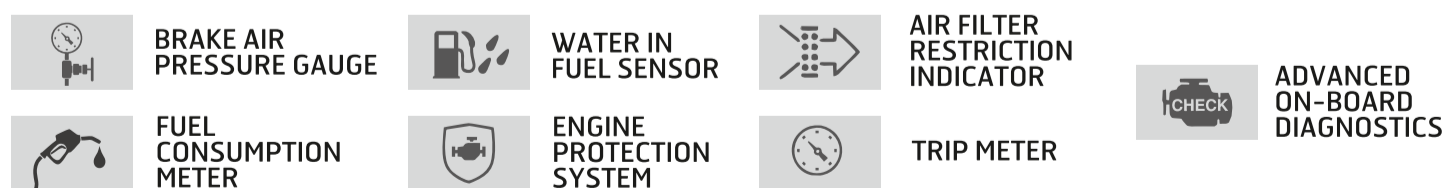


ACTIVE & PASSIVE SAFETY FEATURE



INTELLIGENT DRIVER INFORMATION SYSTEM (IDIS)

The IDIS provides live information to the driver on truck operational parameters, fuel consumption and advanced diagnostics. The information is relayed through tell-tale icons and audible alarms which the driver can easily understand and process. This ensures safe and efficient driving with preventive vehicle maintenance, leading to minimum drive interruptions. Detailed fuel data, including instantaneous fuel value, average fuel consumption and distance to empty are also shown.



TECHNICAL SPECIFICATIONS

Eicher Pro 6016 The 16 Ton GVW Truck

Model	Pro 6016	
Vehicle Weight (kgs)		
GVW	16000	
FAW (laden)	7100	
RAW (laden)	9000	
GCM	18T	24T
Engine		
Model	VEDX5, 4 Cylinder 4 Valve per cylinder, turbo charged, intercooled diesel, common rail	
Capacity	5100 cc	
Max.Power	210 hp @ 2200 rpm	
Max.Torque	825 Nm @ 1200-1600 rpm	
Emission	Euro III	
Transmission		
Gear Box	ET70S6	ET90S6 (6 Forward 1 Reverse)
Gear Shift Linkage	Single Rod GSL	
Clutch		
Clutch	395 mm Plate Dia, spring loaded push type	
Rear Axle		
Rear Axle Ratio	5.2	4.3
Chassis Frame		
Type	Ladder type joggle frame	
Section	285 X 76 X 7	
Steering System		
Type	Power steering	
Suspension		
Front Suspension	Semi elliptical leaf springs with double acting telescopic shock absorber & Anti-roll bar	
Rear Suspension	Semi elliptical laminated leaf springs	
Wheels & Tyres		
Tyre Size	Tubeless radial 295/80R22.5-16PR	
Wheel Rim size	8.25X22.5	
Cabin		
Type	Sleeper & Day Cab option	Day Cab
Model	New Pro 6016 HVAC CAB with IDIS	
Brakes		
Brake type	Dual Circuit, Full Air	
Parking brake type	Pneumatic Control, hand operated	
ABS	Standard	
Electrical		
Battery	24V, 120 Ah	
Fuel Tank		
Size	380 & 220 Liters option	380 Litres
Performance		
Max Speed (kmph)	110	105
Gradeability	34.5%	25%
Vehicle Dimensions (mm)		
Wheel Base	5340	
FOH	1420	
ROH	2683	
Ground Clearance	248	