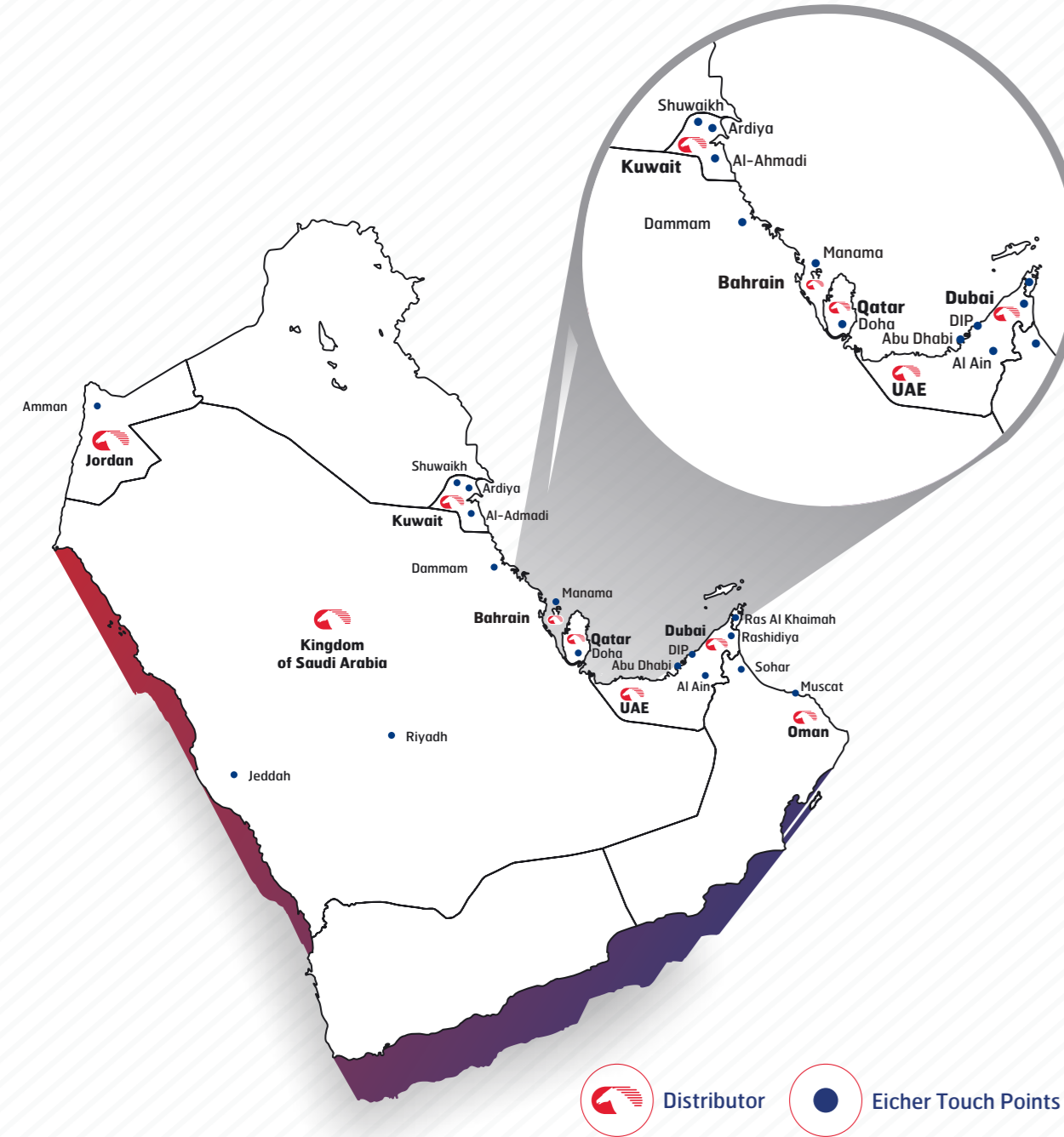


## MIDDLE EAST NETWORK



## AFTER MARKET ASSURANCE

The point of sale is just the beginning of the relationship, which is a commitment to partner the customer right through the entire life cycle of the vehicle.

### SERVICE ASSURANCE

**COUNTRYWIDE NETWORK**  
Eicher promises to deliver customer service with unmatched reliability & quality of repairs through our country's dealer network.

**TRAINED WORKFORCE**  
To maintain service quality standards, the workshop teams are trained and certified by Eicher for diagnostics skills and exhaustive knowledge of all our products.

**STATE-OF-THE-ART WORKSHOP**  
Workshops are equipped with all modern equipment for quick service and comprehensive diagnostic system.



### PARTS ASSURANCE

**PARTS AVAILABILITY**  
Eicher Parts distributors ensure speedy parts supply and minimum delays in delivery to our customers.

**PARTS WARRANTY**  
With a vision to ensure 100% customer satisfaction Eicher extends a warranty along with Eicher Genuine Parts through its distributors.

**SUPPORT AGGREGATES**  
To ensure higher uptime of vehicles, Eicher workshops are equipped with support aggregates.



### EICHER ON ROAD SERVICE

Eicher Dealers are equipped with Mobile Service Vans to ensure quick response

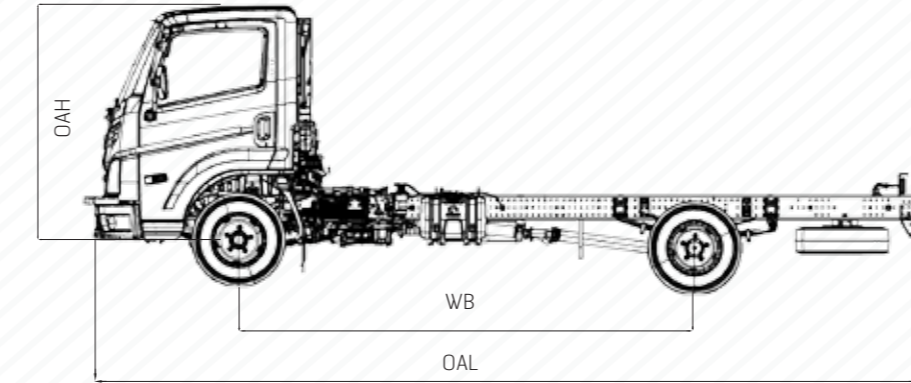
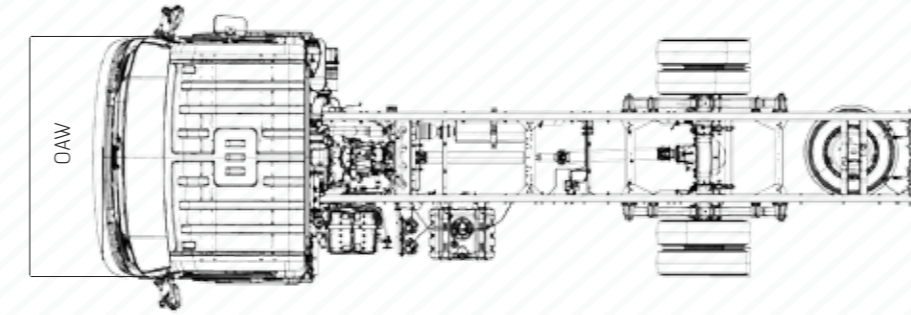
24x7 Eicher call center to support operator incase vehicle stands immobilized enroute

Fully-equipped dealer team ensures quick resolution by enroute breakdown assistance



### SPECIFICATIONS Eicher Pro 2075XP

GVW (kg)	7499 (7.5T)
Wheelbase (mm)	3770
Front Overhang (mm)	1200
Rear Overhang (CBC) (mm)	1900
Cargo Body Length (ft)	16
Engine Type	E474 EURO IV
Max. Power	150 hp @ 3200 rpm
Max. Torque	400 Nm @ 1250 - 2500 rpm
Clutch Type	Push type
Gearbox	ET3556
Rear Axle	Fully floating banjo type
Chassis Type	Joggle frame
Suspension	Front - Parabolic+shock absorber Rear - Parabolic with helper spring+ shock absorber
Steering	Hydraulic power steering, tilt and telescopic
TCD (m)	14.8
Gradiability(%)	31
Max Speed (kmph)	101
Fuel Tank (L)	60 (100 Optional)
Battery	24V - 75A
Tyre	215 / 75R17.5



Vehicle Model	Wheelbase (WB) mm	Overall Length (OAL) mm	Overall Width (OAW) mm	Overall Height (OAH) mm
Pro 2075XP CBC	3770	6870	2545	2310



Market Load



Agriculture



Reefer/Chiller



Cylinder Distribution



FMCG



Furniture



Bottle Carrier



Bakery & Bread



Recovery Van

**VE COMMERCIAL VEHICLES**  
A VOLVO GROUP AND EICHER MOTORS JOINT VENTURE  
eichertrucksandbuses.com, Eicher Care: 1800 102 3531

Authorized Distributor

CORPORATE ADDRESS  
Eicher Trucks & Buses  
#96, Sector - 32, Gurgaon  
122001, Haryana, India.

Caution: \*Do not weld or drill on chassis frame. \*Accessories and features shown in pictures or elsewhere may not constitute standard fitment. \*Weight mentioned is for standard configuration with standard body sizes and will change due to optional fitments. \*As a result of continuous research and innovation carried out, specifications are merely indicative and are subject to change without notice.

TRUCKS AND BUSES



# SMART PERFORMER

## Eicher Pro 2075XP

The 7.5T GVW Truck





## PRO 2000 SERIES

A new generation range of Eicher trucks from 6.25T to 10T with tilted cabin feature that offers enhanced driver comfort & safety and reliability through Volvo Group's expertise.



### Next Gen Features

Eicher PRO 2000 Series comes equipped with next gen features that have been thoroughly tested in many regions. These range of trucks have proven to provide the user with the best-in-class fuel efficiency along with unmatched performance.



### Superior safety and comfort

These range of trucks come loaded with superior safety and comfort features for making the drive and ride more comfortable for drivers and co-drivers.



### Volvo group processes

The manufacturing processes are a manifestation of Volvo Group's global expertise with Eicher's engineering to create an optimum Man-Machine combination.



Eicher Pro 2075XP is a new generation 7.5 tonne GVW truck, designed & developed through Volvo Group's world-class leading processes. Eicher Pro 2075XP gives you unmatched performance with next gen smart features that take care of your daily transportation needs.



## More Km Per Litre

The new Eicher Pro 2075XP is built to deliver best-in-class fuel efficiency, thereby reducing the overall operational cost and increasing profitability.

With the proven E474 engine and EMS, Pro 2075XP is capable of delivering flat torque over a wide RPM range which prevents frequent gear shift.



## Stay ahead with next gen features

- » MBooster+ helps to save fuel on different payload selections
- » Smart Fuel Coaching along with dynamic Green Band Zones is the driver's real-time coach
- » Cruise Control provides a fatigue-free driving experience



## Stay ahead with the safest and most reliable truck

- » Stronger and sturdier dual panel cabin
- » Anti roll bars for safer turns on sharp bends
- » Steering mounted controls
- » Infotainment system
- » Sun Visor for both- Driver & Co-driver
- » Central locking system (Manual)
- » Headlamp with DRL for enhanced visibility
- » 3 point ELR seat belt for driver safety



## More comfort. Longer drive.

- » 8-degree cooler and lowest noise cabin
- » Walk through cabin for more area
- » Tilt & telescopic steering for better ergonomics
- » 4 stage speed blower
- » Adjustable headrest for driver comfort
- » Inside footrest for dust and water protection