

TRUCKS



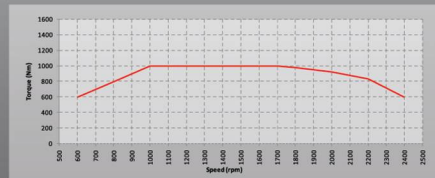
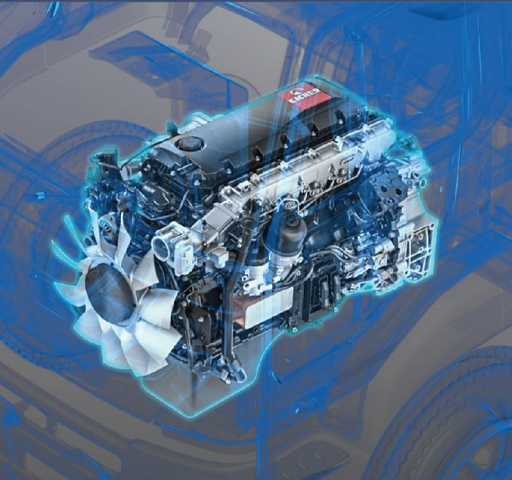
PROFITABLE FOR LIFE.

Eicher Pro 6049
The 49 tonne GCW Tractor



More Km per Litre.

The new Eicher Pro 6049 is designed to deliver best-in-class fuel efficiency thereby reducing the overall operational costs and increasing profitability. The proven VEDX8 engine clubbed with Volvo Group's EMS, delivers high peak torque over a wide range of rpm, thereby resulting in more trips with lesser fuel consumption.

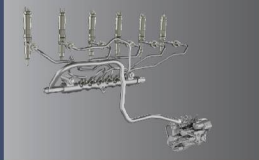


More Trips. Extra Miles.

Robust, rigorously tested and optimized driveline delivers more power and higher torque which enables **higher productivity**. Quick gear shifts and minimal rpm and torque disruptions enable better pick up. High torque-to-weight ratio ensures **outstanding gradeability**. All this together leads to **faster turnaround** and more trips.

- » High power-to-weight ratio for increased load pulling ability
- » Modular DOMEX chassis for high tensile strength
- » Parabolic suspension with anti-roll bar at front for better vehicle stability at sharp turns
- » Ergonomically designed cabin for increased driver productivity

FIE System



Volvo Group's EMS



ESS Compressor



- » Proven VEDX8 CRS Engine-280 hp @ 2200 rpm
- » Flat torque delivery of 1050 Nm over a wide rpm range (1000-1700)
- » **MBooster+** to optimize acceleration and maximize fuel efficiency
- » First-in-industry **Fuel Coaching** provides real-time guidance for improved driver efficiency and fuel economics
- » Energy saving components like Viscotronic fan & ESS compressor

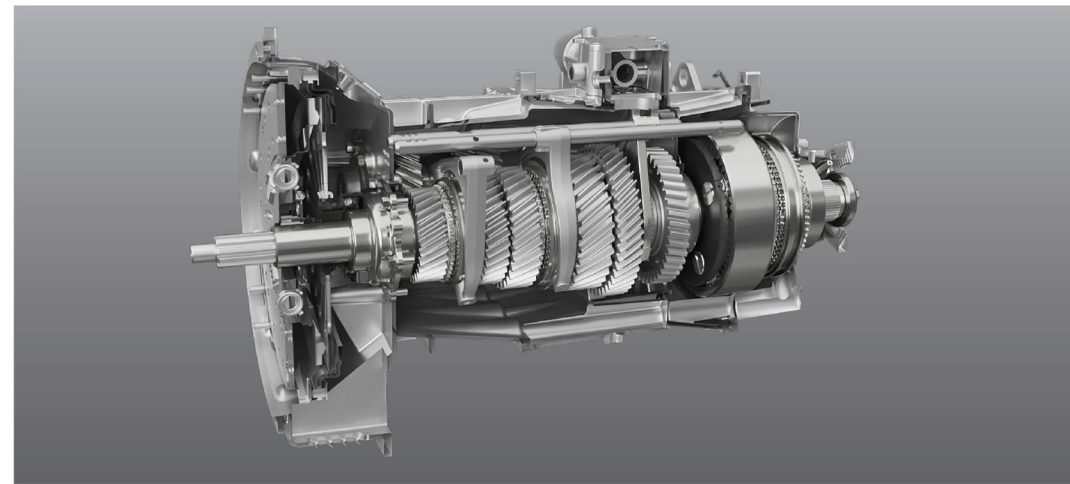
Parabolic Suspension



Cruise Control

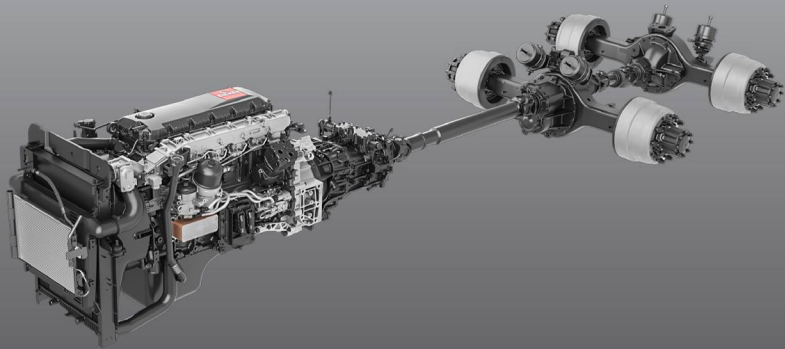


MBooster+



Superior Uptime.

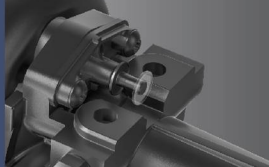
Higher strength and lower weight composite material derive **maximum component life** ensuring truck is on road and available to haul always. With the **fully equipped Eicher Service Network**, preventive maintenance of the truck is ensured, thus delivering superior uptime.



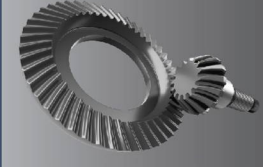
On-board Diagnostics



Clutch Wear Indicator



Bigger Crown Wheel



- » Advanced on-board diagnostics system that displays fault indicators in the form of visual signals, messages and alarms
- » Engine protection system ensuring 4-way protection
- » Exhaust brake to prevent engine over-running
- » Longer and synchronized service intervals

More Comfort. Longer Drives.

Pro 6049 cabin has been designed keeping in mind the long and tiring journeys, the drivers have to undertake. The **global cabin** provides a **comfortable workspace** that ensures they are not only comfortable, but also safe while on their long runs.

- » HVAC optional sleeper cabin for better comfort.
- » Meeting cabin crash test norms
- » Intelligent Driver Information System (IDIS) that provides truck operational parameters.
- » Tilt & telescopic power steering and 6-way adjustable driver seat for better driving posture.
- » Cruise Control for fatigue-free driving experience.



HVAC



6-way Adjustable Driver Seat



Tilt and Telescopic Power Steering

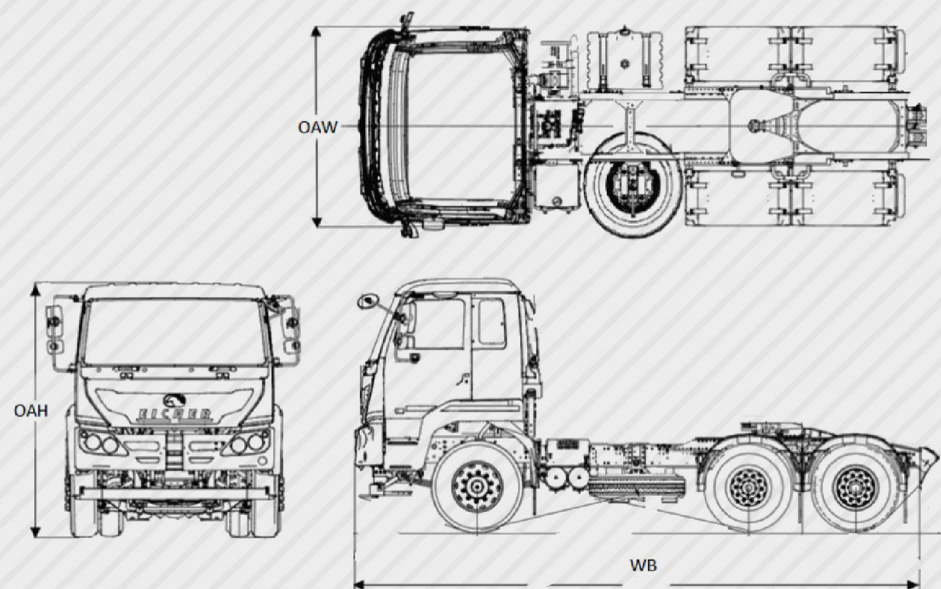


Eicher Pro 6049

SPECIFICATIONS

GCW (kg)	49000
Engine	VEDX8
Max. Power	280 HP @ 2200 RPM
Max. Torque	1050 Nm @ 1100-1800 RPM
Clutch Diameter	430mm (Pull type)
Transmission	ET140S9
Rear Axle Ratio	5.857
Chassis Dimensions (mm)	285x76x7 Bell Crank / 300x90x8 Bogie
Suspension	At Front – Parabolic At Rear – Bogie Suspension
Cabin	Hydraulic Tilttable Fully Suspended Sleeper cabin
Steering	Tilt and Telescopic Hydraulic Power Steering
Tyre	11R20
Fuel Tank (Litres)	350
Battery	2X12 V-120 Ah
Gradeability (%)	27%
5th Wheel Coupling	50 mm
Wheelbase (mm)	4085 mm
Applications	Cement, Bulker, Tip Trailer (Blue metal & Coal), Tankers, Steel Coil, Market Load, ISO Container, Medium ODC
TCD	15.7 m
Min. Ground Clearance	227 mm
Body Options	CBC
Wheel Rim Size	8.00 x 20
Electricals	24V
Brake	Dual Circuit, Full Air S-Cam with Exhaust brake (Engine mounted)

VEHICLE DRAWING



Vehicle Model	WB	FOH	ROH	OAL	AOA	ROA	AOD
Pro 6049TT	4085	1420	1510	7015	21*	27*	45*

Caution: *Do not weld or drill on chassis frame. *Accessories, colours and features shown in pictures or elsewhere may not constitute standard fitment. *Weight mentioned is for standard configuration with standard body sizes and will change due to optional fitments. *As a result of continuous research and innovation carried out, specifications are merely indicative and are subject to change without notice.



SUGGESTIONS
wecare@runnerbd.com
only WhatsApp
01730406484



For Sales Query
01730406484



For Parts Query
01730405566



Eicher Service Van
01796554433

VE COMMERCIAL VEHICLES
A VOLVO GROUP AND EICHER MOTORS JOINT VENTURE

RUNNER
motors limited

(A Volvo Group and Eicher Motors joint venture)
96, Sector 32, Gurgaon 122001, India.
Phone: +91 0124-4415600
Fax: +91 0124-4415997
www.eicher.in/etb

Authorized Distributor:
RUNNER MOTORS LTD
138/1, Tejgaon I/A, Dhaka-1208, Bangladesh
E mail: rmlsales@runnerbd.com
Web: www.runnerbd.com/motors